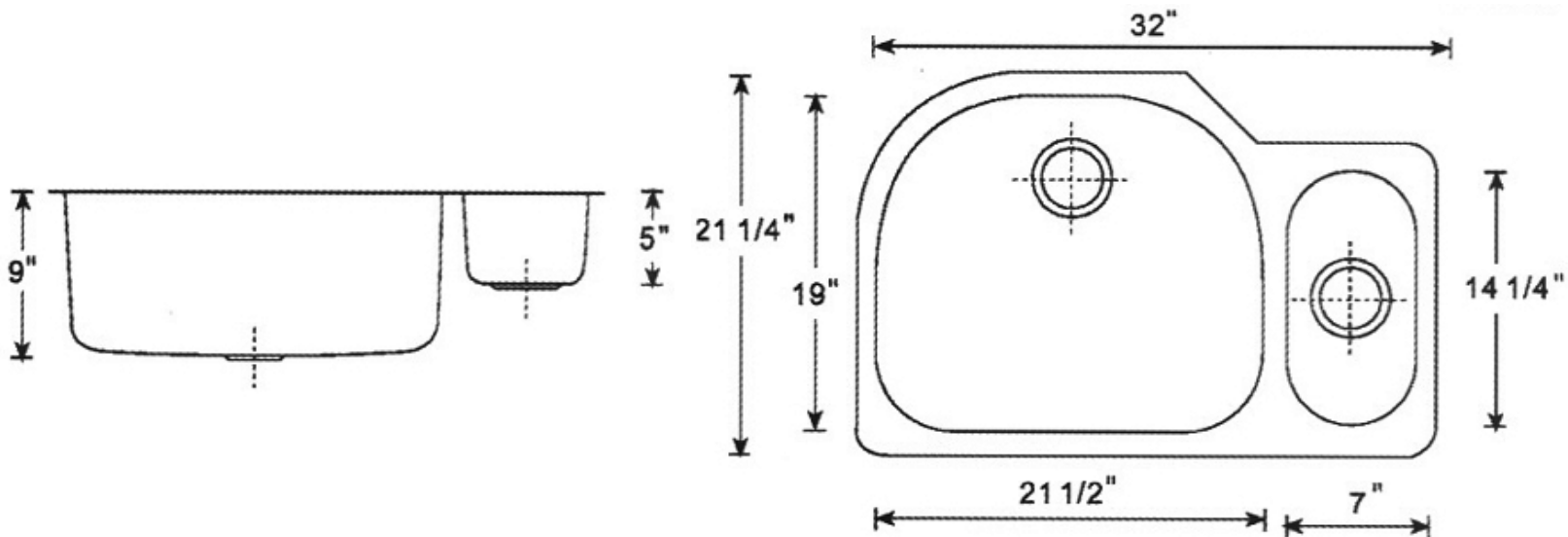


# Arden

## Stainless Steel Sinks by allen co.

- Meets ANSI A112.19
- #304 Stainless Steel - 18 guage, 18/10 chrome - nickel
- Truly non magnetic and non corrosive
- Underside coated with heavy undercoating

### Under-Mount Double Bowl - Peachtree



Model	Overall LxW	Bowl Depth	Material Gauge	Finish	Mail Bowl LxWxD
AU322195R	31 3/4" x 20 7/8" x 9" (L) 5 1/2" (R)	9" (L) 5 1/2" (R)	18	Satin	