

Arden

Stainless Steel Sinks

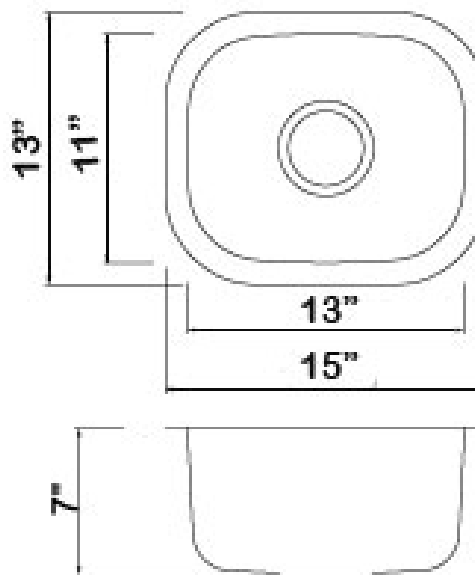
by allen co.

- Meets ANSI A112.19
- #304 Stainless Steel
- Truly non magnetic and non corrosive
- Underside coated with heavy undercoating
- Drain hole in center position

Under-Mount Bar Sink - Cahill



All drain holes accept 3-1/2" US drain fittings



Model	Overall LxW	Bowl Depth	Material Gauge	Finish
AU1512	15" x 13"	7"	18	All Satin/Deck Polish